

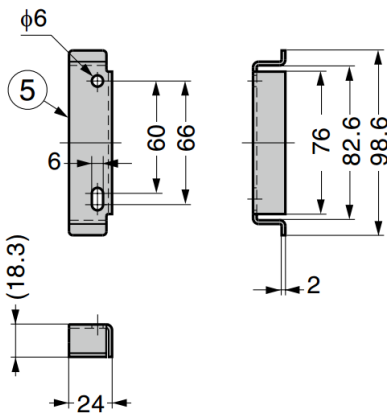
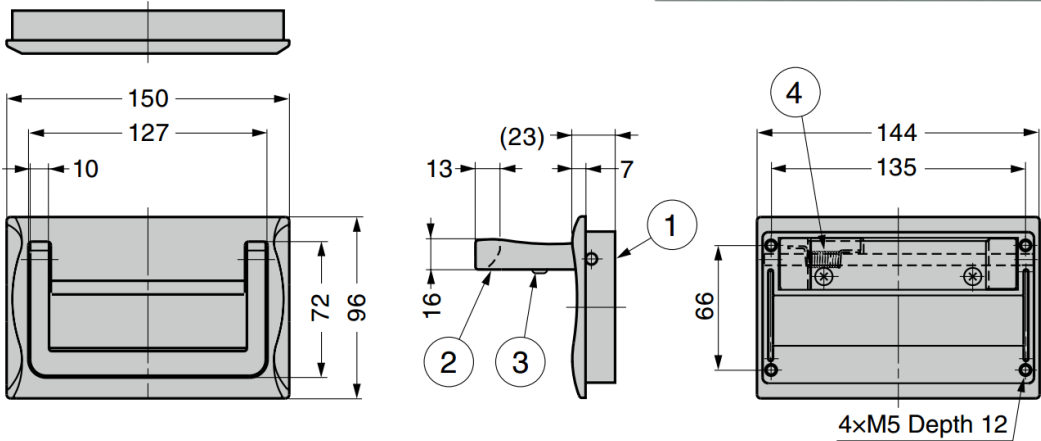
GHCT-150 Stainless Steel 316 Trunk Handle

Features

- High load capacity
- Handle retracts automatically with spring

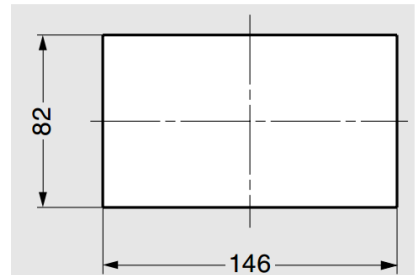
Parts Included

- Truss head screw M5x12 (SUS)
- Bracket for sheet metal (SUS)

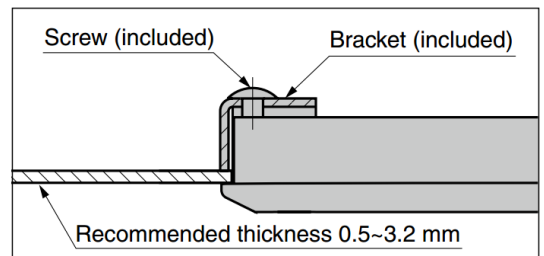


Bracket

Cut Out Dimensions



Installation



No.	Part Name	Material	Finish / Colour
①	Body	Stainless Steel (SCS14)	Polished
②	Handle		
③	Bumper	EPDM	Black
④	Spring	Stainless Steel	-
⑤	Bracket for Sheet Metal	(SUS316)	Barrel Polished

※SCS14 is equivalent of SUS316.

Part No.	Load Capacity	
GHCT-150	980 N	100 kg